



Cascade® Mega-Cabinet with totes

MODEL#: 610024000P



OVERVIEW

The Cascade® series provides storage for a wide variety of items. The Mega-Cabinet is a large width, medium height cabinet in the Cascade grouping, measuring in at 43 5/16" tall, 42 3/8" wide and 19" deep.

MATERIALS

The END PANELS are made of 18-gauge 1" square tubing, welded flush to an 18-gauge end panel. The inside of each end panel is reinforced by 22-gauge hat channels. These hat channels are dual purpose: added strength and for tote rail shelf mounting. The dome top is 18-gauge formed and welded construction, bolted to each end panel and rear panel with a total of 10 machine screw fasteners. The base is a durable 18-gauge steel construction formed and welded to support the entire weight of the unit squarely. Underneath is a heavy welded hat channel reinforcement. The base shelf is attached to both end panels using 4 machine screw fasteners. The Rear Panel is 18-gauge steel reinforced with up to three vertical hat channels. Two grommet holes (a lower and upper) are punched for convenient wire management and electronic storage. Casters are 5" in diameter, with 2 locking. Optional glides are 3/8" threaded stem.

RISER SHELVES are sized perfectly for each cabinet size. Mega-Cabinet riser shelves are made of 1 1/4" thick density particle board with your choice of laminate and T-Mold color. Shelf is suspended 6 inches above the dome top with 4 riser shelf handles, which measure 1 1/2" diameter and come in Platinum powder coat paint finish (0.03" Thickness). These riser shelf handles bolt on from underneath the dome top with a hefty 3" washer.

The optional DOORS include a secure and reliable locking mechanism, which engages lock rods into the dome top and the base shelf. Doors also come with urethane ergonomic and modern door handles of your color choice. The fully hinged doors articulate 270 degrees, free of obstruction.

ACCESSORIES

Replace the 4th character in the part number with a 'W' to denote a whiteboard back on the Cascade Mega-Cabinet.

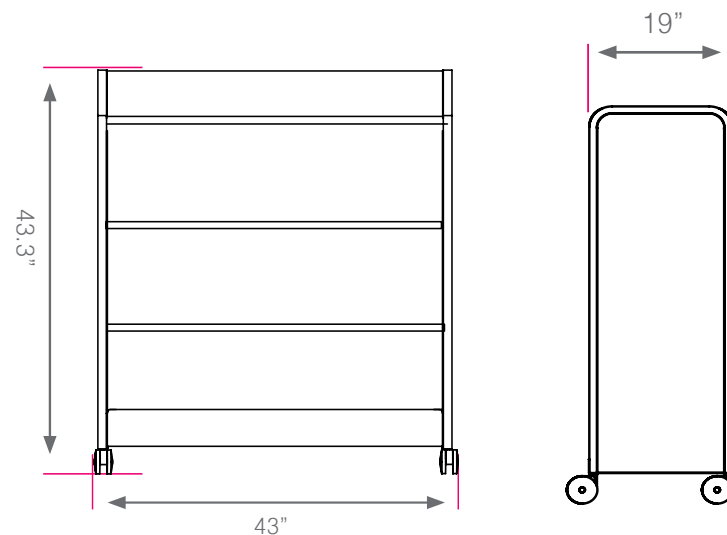


i.e. 611W00000P_
B20W08040P_

DIMENSIONS

Model	Description	D"	W"	H"	WT.
Standard Width (SW) Totes					
610024000P	Open w/twenty-four 3" SW totes	19	43	43.3	132
620024000P	Doors w/twenty-four 3" SW totes	19	43	43.3	150
610124000P	Open w/twenty-four 3" SW totes & riser	19	43	50	158
620124000P	Doors w/twenty-four 3" SW totes & riser	19	43	50	176
610012060P	Open w/twelve 3" and six 6" SW totes	19	43	43.3	132
620012060P	Doors w/twelve 3" and six 6" SW totes	19	43	43.3	150
610112060P	Open w/twelve 3" and six 6" SW totes & riser	19	43	50	158
620112060P	Doors w/twelve 3" and six 6" SW totes & riser	19	43	50	176
Extra Wide (EW) Totes					
B10016000P	Open w/sixteen 3" EW totes	19	43	43.3	132
B20016000P	Doors w/sixteen 3" EW totes	19	43	43.3	150
B10116000P	Open w/sixteen 3" EW totes & riser	19	43	50	158
B20116000P	Doors w/sixteen 3" EW totes & riser	19	43	50	176
B10000080P	Open w/eight 6" EW totes	19	43	43.3	132
B20000080P	Doors w/eight 6" EW totes	19	43	43.3	150
B10100080P	Open w/eight 6" EW totes & riser	19	43	50	158
B20100080P	Doors w/eight 6" EW totes & riser	19	43	50	176
B10008040P	Open w/eight 3" and four 6" EW totes	19	43	43.3	132
B20008040P	Doors w/eight 3" and four 6" EW totes	19	43	43.3	150
B10108040P	Open w/eight 3" and four 6" EW totes & riser	19	43	50	158
B20108040P	Doors w/eight 3" and four 6" EW totes & rise	19	43	50	176

Note: When ordering a Riser Shelf for a Mega-Cabinet, 1 1/4" thick top is only option available.



Smith System®

MODEL 610024000P - APRIL 2022

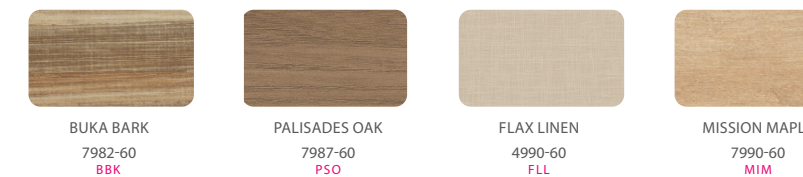
WWW.SMITHSYSTEM.COM

STANDARD LAMINATE OPTIONS

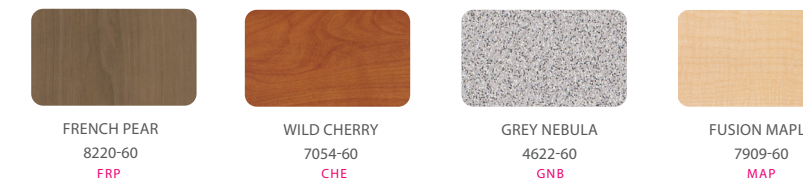
Want to specify a different laminate?

No problem. If you have 20 or more tops of the same color -60 or -38 there is no upcharge. Have 20 or less? We can quote for you with the Wilsonart code and - finish style. We can specify other laminates - call to inquire and get a quote.

SUGGESTED LAMINATE OPTIONS



Classic Standard Laminates:



All 15 of the standard laminates are -60 finish, if you need to match a laminate from a previous year, please let us know on your order (example Pewter Mesh 4878-38, our standard is -60).

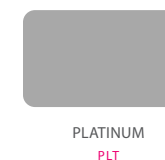
When the WilsonArt Laminate code includes a "Y", "K", "-12" "-78" "Aeon" etc, these are special laminates with an upcharge, even when it contains -38 or -60.

STANDARD EDGE COLOR OPTIONS

* Additional Lead Time



FRAME COLOR OPTION



ACCESSORIES

Whiteboard Back available on 'Replace the 4th character in the part number with a 'W' to denote a whiteboard back on the Cascade Mega-Cabinet.

i.e. 611W00000P_
B20W08040P_



Smith System®

WWW.SMITHSYSTEM.COM

MODEL 610024000P - APRIL 2022